

PUBLIC

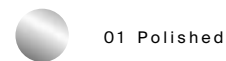
Soap/sanitizer dispenser with sensor (850 ml)



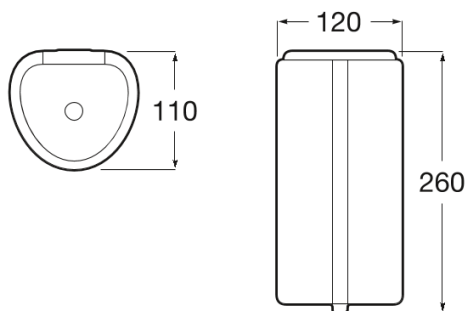
DIMENSIONS

Length	120 mm
Width	110 mm
Height	260 mm

COLOURS AND FINISHES



TECHNICAL DRAWINGS



FEATURES

Soap/sanitizer dispenser with sensor. 850 ml capacity. Powered by four 1.5V LR6 (AA) alkaline batteries. Batteries not included.

Capacity (l): 0.85

Finish: White

Fixing kit: Included

Installation options: Only with screws

Installation type: Wall-mounted

Material: Plastic



Public

Designed to be used in highly transited areas such as hospitals, shopping centers, hotels or academic centers, Roca's range of accessories for public spaces combines resistance, safety and functionality in a wide range of proposals. Specifically conceived for an intensive use, all products within the Public collection are manufactured with highly durable materials, designed to facilitate the work of maintenance and cleaning personnel.



INSTALLATION AND USER MANUALS



[Installation Handbook](#)